



Aluminium Electrolytic Capacitors

*** RD Series is general purpose product.**

(1) Operating Temperature Range

6.3~100VDC -40~+85°C
160~450VDC -25~+85°C

(2) Rated Voltage and Surge Voltage

WV: Working Voltage (VDC)

SV: Surge Voltage (V)

WV	6.3	10	16	25	35	50	63	100	160	200	250	350	400	450
SV	8	13	20	32	44	63	79	125	200	250	300	400	450	500

(3) Leakage Current

The maximum leakage current is specified in the following formula after DC working voltage applied.

6.3~100WV $I=0.01CV$ or $3 (\mu A)$, whichever is greater for 2 minutes

160~450WV $I=0.03CV + 10 (\mu A)$

where I: Leakage Current (μA)

C: Nominal Capacitance (μF)

V: Rated Voltage (V)

(4) Capacitance Tolerance

Capacitance tolerance should be within the range of $\pm 20\%$ which is measured at 120Hz/20°C

(5) Dissipation Factor

Dissipation Factor at 120Hz/ 20°C shall not exceed the values given in the table below.

WV	6.3	10	16	25	35	50	63	100	160~250	350~450
DF(%)	22	19	16	14	12	10	9	8	15	20

Note: Above DF specifications shall be 2% added for every 1000uF capacitor exceeding 1000uF.

(6) Low Temperature Characteristics

The ratio of impedance at -25°C/+20°C and -40°C/+20°C of the capacitor shall be less than the following value at 120Hz.

WV	6.3	10	16	25	35~100	160~250	315~350	400~450
Z(120Hz)								
Z(-25°C)/Z(+20°C)	8	6	5	3	3	7	10	15
Z(-40°C)/Z(+20°C)	10	8	6	4	3	-	-	-

(7) Multiplier for Ripple Current

Frequency Coefficient

Frequency (Hz)	120	300	1K	10K
6.3~100V Below 68 μF	1.00	1.20	1.30	1.50
6.3~100V 100~680 μF	1.00	1.10	1.15	1.20
6.3~100V 1000~22000 μF	1.00	1.05	1.10	1.15
160~450V Below 220 μF	1.00	1.25	1.40	1.40
160~450V 220 μF Above	1.00	1.10	1.13	1.13



(8)Lead Pull Test

Capacitors shall be with stand the pull test shown in the following table.

Lead diameter (mm)	Load (Kg)	Test time (sec)
$d \leq 0.5$	0.5	30 ⁺⁵ -0
$0.5 < d \leq 0.8$	1.0	30 ⁺⁵ -0
$0.8 < d \leq 1.2$	2.5	30 ⁺⁵ -0

(9)Load Life

To put capacitors into the oven which is staying at $85 \pm 2^{\circ}\text{C}$, then to add rated voltage in the capacitors. This experiment will be lasted for $2000 + 12 / - 0$ hours. We will examine the electric characteristics after getting them cooled down to room temperature. The values must not be over those on following table.

Capacitance Change	Within $\pm 20\%$ of initial value
Dissipation Factor	200% of less of initial specified value
Leakage Current	initial specified value or less

(10)Shelf Life

The following specifications shall be satisfied when the capacitors are restored to 20°C after exposing them at $85 \pm 2^{\circ}\text{C}$ for $1000 + 12 / - 0$ hours without voltage applied.

Capacitance Change	Within $\pm 20\%$ of initial value
Dissipation Factor	200% of less of initial specified value
Leakage Current	initial specified value or less

(11) Solderability Test

The following specifications shall be satisfied when the lead wires are tested in solder bath at $235 \pm 5^{\circ}\text{C}$ for 2 ± 0.5 seconds, more than 95% of the terminal surface shall be covered with new solder.

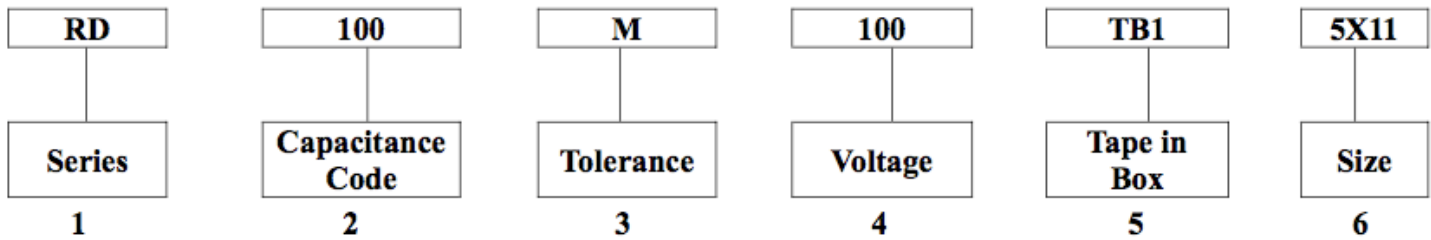
(12) Solder Heat Resistance Test

The following specifications shall be satisfied when the lead wires are tested in solder bath at $260 \pm 5^{\circ}\text{C}$ for 10 ± 1 seconds.

Capacitance Change	$\leq \pm 5\%$ of the initial value
Dissipation factor	\leq Initial specified value
Leakage Current	\leq Initial specified value



(13) Part Numbering System



1. Series

2. Capacitance represented by capacitance code, ie

100 = 10uF

102 = 1000uF

The decimal point is represented by the letter "R". .22 = R22uF

3. Tolerance: M=20%

4. Voltage: represented by the actual voltage rating the decimal point is represented by the letter "R"

6.3 = 6R3 VoHS

5. Lead forming:

TB1 = Tape & Box 2.5mm lead space

TB2 = Tape & Box 5mm lead space

TR1 = Tape & Reel 2.5mm lead space

TR2 = Tape & Reel 5mm lead space

6. Size = measured in mm of the capacitor

(14) Mounting

The paper separators and the electrolytic-conductive electrolytes in a non-solid aluminum electrolytic capacitor are flammable.

Leaking electrolyte on a PC board can gradually erode the copper traces, possibly causing smoke or burning by short-circuiting the copper traces.

Verify the following points when designing a PC board.

- (1) Provide the appropriate hole spacing on the PC board to match the terminal spacing of the capacitor.



(2) Make the following open space over the vent so that the vent can operate correctly.

<u>Case diameter</u>	<u>Clearance</u>
ϕ 6.3 to ϕ 13 mm	2 mm minimum
ϕ 16 to ϕ 35 mm	3 mm minimum
ϕ 40 mm and up	5 mm minimum

- (3) Do not place any wires or copper traces over the vent of the capacitor.
- (4) Installing a capacitor with the vent facing the PC board needs an appropriate ventilation hole in PC board.
- (5) Do not pass any copper traces beneath the seal side of a capacitor.
The trace must pass 1 or 2 mm to the side of the capacitor.
- (6) Avoid placing any heat-generating objects adjacent to a capacitor or even on the reverse side of the PC board.
- (7) Do not pass any via holes or underneath a capacitor.
- (8) In designing double-sided PC boards, do not locate any copper trace under the seal side of a capacitor.

(15) Storage Condition

- (1) Aluminium Electrolytic Capacitors should not be stored in high temperatures or where there is a high level of humidity. The suitable storage condition is 5~35°C and less than 75% in relative humidity.
- (2) Aluminium Electrolytic Capacitors should not be stored in damp conditions such as water, saltwater spray or oil spray.
- (3) Do not store Aluminium Electrolytic Capacitors in an environment full of hazardous gas (hydrogen sulfide , sulfurous acid gas, nitrous acid, chlorine gas, ammonium, etc...).
- (4) Aluminium Electrolytic Capacitors should not be stored under exposure to ozone, ultraviolet rays or radiation
- (5) If a capacitor has been stored for more than one year under normal temperature (shorter if high temperature) and it shows increased leakage current, then a treatment by voltage application is recommended.

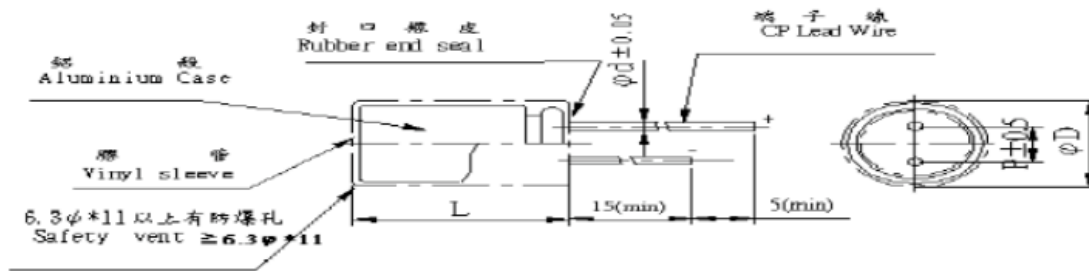


(16) Others

- (1) All capacitors comply to RoHS(Restriction of Hazardous Substances) requirements where Chromium VI(Cr+6),Cadmium(Cd) , Mercury(Hg), Lead(pb), Polybrominated biphenyls(PBBs)and Polybrominated biphenyl/diphenyl ethers (PBBEs/PBDEs) have not been detected [lower than MDL (Method Detection Limit)] per SGS certification test report..
- (2)Satisfied characteristic JIS C 5101.
- (3)Aluminum Electrolytic Capacitors may be damaged by corrosion which is caused by any halogenated hydrocarbon solvents.

Please let us know in advance the solvent name and conditions for your PCB cleaning

Dimensions (mm) Code: S1



$D \leq 10 \quad L+1 \text{ max} \quad \phi D: D+0.5 \text{ max}$
 $D \geq 13 \quad L+2 \text{ max}$

Diameter(D)	5	6.3	8	10	12	13	16	18	22
Lead space(P)	2.0	2.5	3.5	5.0	5.0	5.0	7.5	10.0	
Lead diameter(d)	0.5	0.5	0.6	0.6	0.6	0.6	0.8	0.8	(1.0)
a	1.0	1.0	1.0	1.0	2.0	2.0	2.0	2.0	2.0

() : L ≥ 40

(17) Sleeve Color

The colors of PVC sleeve series are shown:

Code	Color	Code	Color
0	Opal blue	5	Smoke black
1	Royal blue	6	Black
2	Green	7	Limpid
3	Orange	8	Yellow
4	Smoke gray	9	Others



On-Site Components, LLC

On-Site Components, LLC

3214 Thorngrove Circle
Riverton, Utah 84065

Office: 801-553-9948

Fax: 801-553-9946

www.onsitecomponents.com

sales@onsitecomponents.com

WV	Cap (μ F)	Size (mm)	Tol (%)	DF (%) (max)	LC (μ A) (max)	RC. (mArms) (max)
		ϕ DxL		120Hz, 20 $^{\circ}$ C	20 $^{\circ}$ C	120Hz, 85 $^{\circ}$ C
6.3	22	5x11	\pm 20	22	3	35
	33	5x11	\pm 20	22	3	55
	47	5x11	\pm 20	22	3	75
	100	5x11	\pm 20	22	6.3	130
	220	5x11	\pm 20	22	13.86	200
		6.3x11	\pm 20	22	13.86	240
	330	6.3x11	\pm 20	22	20.79	260
		8x11	\pm 20	22	20.79	300
	470	6.3x11	\pm 20	22	29.61	330
		8x11	\pm 20	22	29.61	380
	680	8x11	\pm 20	22	42.84	410
	1000	8x11	\pm 20	22	63	460
		10x12.5	\pm 20	22	63	580
	2200	10x20	\pm 20	26	138.6	840
		13x20	\pm 20	26	138.6	1050
	3300	10x20	\pm 20	28	207.9	1000
		13x20	\pm 20	28	207.9	1250
	4700	13x20	\pm 20	30	296.1	1300
		16x25	\pm 20	30	296.1	1700
	6800	16x25	\pm 20	34	428.4	1900
10000	16x25	\pm 20	42	630	1900	
	16x32	\pm 20	42	630	2250	
15000	16x36	\pm 20	52	945	2500	
	18x36	\pm 20	52	945	2880	
22000	18x40	\pm 20	66	1386	3650	
10	4.7	5x11	\pm 20	19	3	20
	10	5x11	\pm 20	19	3	35
	22	5x11	\pm 20	19	3	55
	33	5x11	\pm 20	19	3	80
	47	5x11	\pm 20	19	4.7	95
	100	5x11	\pm 20	19	10	180
	220	6.3x11	\pm 20	19	22	250
	330	6.3x11	\pm 20	19	33	265
		8x11	\pm 20	19	33	330
	470	6.3x11	\pm 20	19	47	320
		8x11	\pm 20	19	47	400
	680	10x12.5	\pm 20	19	68	460
	1000	10x12.5	\pm 20	19	100	580
		10x16	\pm 20	19	100	630
	1500	10x20	\pm 20	21	150	700
	2200	10x20	\pm 20	23	220	880
		13x20	\pm 20	23	220	1100
	3300	13x20	\pm 20	25	330	1250
		13x25	\pm 20	25	330	1400
	4700	13x25	\pm 20	27	470	1500
16x25		\pm 20	27	470	1800	
6800	16x25	\pm 20	31	680	1900	
	16x32	\pm 20	31	680	2150	
10000	16x36	\pm 20	39	1000	2225	
	18x36	\pm 20	39	1000	2500	
15000	18x36	\pm 20	49	1500	2950	
22000	22x40	\pm 20	63	2200	3700	



On-Site Components, LLC

On-Site Components, LLC

3214 Thorngrove Circle
Riverton, Utah 84065

Office: 801-553-9948

Fax: 801-553-9946

www.onsitecomponents.com
sales@onsitecomponents.com

WV	Cap (μ F)	Size (mm)	Tol (%)	DF (%) (max)	LC (μ A) (max)	R.C. (mArms) (max)
		ϕ DxL		120Hz, 20°C	20°C	120Hz, 85°C
16	4.7	5x11	± 20	16	3	25
	10	5x11	± 20	16	3	40
	15	5x11	± 20	16	3	50
	22	5x11	± 20	16	3.52	75
	33	5x11	± 20	16	5.28	110
	47	5x11	± 20	16	7.52	130
	68	5x11	± 20	16	10.88	150
	100	5x11	± 20	16	16	165
		6.3x11	± 20	16	16	185
	150	6.3x11	± 20	16	24	205
	220	6.3x11	± 20	16	35.2	260
		8x11	± 20	16	35.2	320
	330	6.3x11	± 20	16	52.8	290
		8x11	± 20	16	52.8	360
	470	8x11	± 20	16	75.2	400
		10x12.5	± 20	16	75.2	470
	680	10x12.5	± 20	16	108.8	510
		10x16	± 20	16	108.8	565
	1000	10x16	± 20	16	160	630
		10x20	± 20	16	160	790
	2200	10x20	± 20	20	352	925
		13x20	± 20	20	352	1100
13x25		± 20	20	352	1350	
3300	13x25	± 20	22	528	1400	
	16x25	± 20	22	528	1700	
4700	16x25	± 20	24	752	1800	
	16x32	± 20	24	752	2100	
6800	16x32	± 20	28	1088	1980	
	16x36	± 20	28	1088	2200	
	18x36	± 20	28	1088	2500	
10000	18x36	± 20	36	1600	2700	
15000	22x40	± 20	46	2400	3150	
22000	22x40	± 20	60	3200	3800	
25	4.7	5x11	± 20	14	3	30
	10	5x11	± 20	14	3	50
	22	5x11	± 20	14	5.5	90
	33	5x11	± 20	14	8.25	115
	47	5x11	± 20	14	11.75	135
	68	6.3x11	± 20	14	17	145
	100	6.3x11	± 20	14	25	160
		8x11	± 20	14	25	200
	220	8x11	± 20	14	55	290
		10x12.5	± 20	14	55	340
	330	8x11	± 20	14	82.5	315
		8x15	± 20	14	82.5	380
		10x12.5	± 20	14	82.5	420



On-Site Components, LLC

On-Site Components, LLC

3214 Thorngrove Circle
Riverton, Utah 84065

Office: 801-553-9948

Fax: 801-553-9946

www.onsitecomponents.com
sales@onsitecomponents.com

WV	Cap (μ F)	Size (mm) ϕ DxL	Tol (%)	DF (%) (max)	LC (μ A) (max)	R.C. (mArms) (max)
				120Hz, 20 $^{\circ}$ C	20 $^{\circ}$ C	120Hz, 85 $^{\circ}$ C
25	470	8x15	\pm 20	14	117.5	420
		10x12.5	\pm 20	14	117.5	460
		10x16	\pm 20	14	117.5	540
	680	10x16	\pm 20	14	170	540
		10x20	\pm 20	14	170	595
	1000	10x20	\pm 20	14	250	760
		12x16	\pm 20	14	250	760
		13x20	\pm 20	14	250	950
	2200	13x25	\pm 20	18	550	1300
		16x25	\pm 20	18	550	1550
		18x20	\pm 20	18	550	1550
	3300	16x25	\pm 20	20	825	1660
		16x32	\pm 20	20	825	1950
	4700	16x32	\pm 20	22	1175	1950
		18x36	\pm 20	22	1175	2360
6800	18x36	\pm 20	26	1700	2550	
10000	22x40	\pm 20	34	2500	2800	
15000	22x40	\pm 20	44	3750	3200	
35	4.7	5x11	\pm 20	12	3	35
	10	5x11	\pm 20	12	3.5	60
	22	5x11	\pm 20	12	7.7	95
	33	5x11	\pm 20	12	11.55	120
		5x11	\pm 20	12	16.45	120
	47	6.3x11	\pm 20	12	16.45	140
		6.3x11	\pm 20	12	35	185
	100	8x11	\pm 20	12	35	230
		8x11	\pm 20	12	77	290
	220	10x12.5	\pm 20	12	77	370
		10x16	\pm 20	12	77	370
		10x12.5	\pm 20	12	115.5	420
	330	10x16	\pm 20	12	115.5	490
		10x16	\pm 20	12	164.5	430
	470	10x20	\pm 20	12	164.5	510
		13x20	\pm 20	12	164.5	640
		13x20	\pm 20	12	238	705
	680	13x25	\pm 20	12	238	780
		13x20	\pm 20	12	350	950
	1000	13x25	\pm 20	12	350	1100
		16x25	\pm 20	14	525	1240
2200	16x25	\pm 20	16	770	1600	
	16x32	\pm 20	16	770	1800	
3300	16x36	\pm 20	18	1155	1970	
	18x36	\pm 20	18	1155	2220	
4700	18x36	\pm 20	20	1645	2400	
6800	22x40	\pm 20	24	2380	2600	



On-Site Components, LLC

On-Site Components, LLC

3214 Thorngrove Circle
Riverton, Utah 84065

Office: 801-553-9948

Fax: 801-553-9946

www.onsitecomponents.com
sales@onsitecomponents.com

WV	Cap (μ F)	Size (mm)	Tol (%)	DF (%) (max)	LC (μ A) (max)	R.C. (mArms) (max)
		ϕ DxL		120Hz, 20°C	20°C	120Hz, 85°C
50	0.1	5x11	\pm 20	10	3	1
	0.22	5x11	\pm 20	10	3	2
	0.33	5x11	\pm 20	10	3	3
	0.47	5x11	\pm 20	10	3	5
	0.68	5x11	\pm 20	10	3	7
	1	5x11	\pm 20	10	3	10
	2.2	5x11	\pm 20	10	3	23
	3.3	5x11	\pm 20	10	3	35
	4.7	5x11	\pm 20	10	3	40
	6.8	5x11	\pm 20	10	3.4	50
	10	5x11	\pm 20	10	5	65
	15	5x11	\pm 20	10	7.5	80
	22	5x11	\pm 20	10	11	100
	33	5x11	\pm 20	10	16.5	105
		6.3x11	\pm 20	10	16.5	125
	47	6.3x11	\pm 20	10	23.5	140
		8x11	\pm 20	10	23.5	150
	100	8x11	\pm 20	10	50	230
		10x12.5	\pm 20	10	50	250
	220	10x12.5	\pm 20	10	110	380
		10x16	\pm 20	10	110	440
	330	10x16	\pm 20	10	165	490
		10x20	\pm 20	10	165	580
	470	10x20	\pm 20	10	235	610
		13x20	\pm 20	10	235	760
	1000	13x25	\pm 20	10	500	1100
		16x25	\pm 20	10	500	1350
	2200	16x36	\pm 20	14	1100	1850
18x36		\pm 20	14	1100	2090	
3300	18x36	\pm 20	16	1650	2170	
	18x40	\pm 20	16	1650	2400	
4700	22x35	\pm 20	18	2350	2240	
	22x40	\pm 20	18	2350	2500	



On-Site Components, LLC

On-Site Components, LLC

3214 Thorngrove Circle
Riverton, Utah 84065

Office: 801-553-9948

Fax: 801-553-9946

www.onsitecomponents.com
sales@onsitecomponents.com

WV	Cap (μ F)	Size (mm)	Tol (%)	DF (%) (max)	LC (μ A) (max)	R.C. (mArms) (max)
		ϕ DxL		120Hz, 20°C	20°C	120Hz, 85°C
63	0.33	5x11	\pm 20	9	3	3
	0.47	5x11	\pm 20	9	3	5
	1	5x11	\pm 20	9	3	10
	2.2	5x11	\pm 20	9	3	29
	3.3	5x11	\pm 20	9	3	40
	4.7	5x11	\pm 20	9	3	45
	10	5x11	\pm 20	9	6.3	70
	22	5x11	\pm 20	9	13.86	95
		6.3x11	\pm 20	9	13.86	115
	33	6.3x11	\pm 20	9	20.79	130
		8x11	\pm 20	9	20.79	140
	47	8x11	\pm 20	9	29.61	190
	100	10x12.5	\pm 20	9	63	300
		10x16	\pm 20	9	63	300
	220	10x16	\pm 20	9	138.6	410
		10x20	\pm 20	9	138.6	490
	330	10x20	\pm 20	9	207.9	540
		13x20	\pm 20	9	207.9	680
	470	13x20	\pm 20	9	296.1	755
		13x25	\pm 20	9	296.1	880
16x25		\pm 20	9	296.1	880	
680	13x25	\pm 20	9	428.4	965	
	16x25	\pm 20	9	428.4	1085	
1000	16x25	\pm 20	9	630	1310	
	16x32	\pm 20	9	630	1550	
2200	18x40	\pm 20	13	1386	2200	
	22x35	\pm 20	13	1386	2200	
	22x40	\pm 20	13	1386	2200	
3300	22x40	\pm 20	15	2079	2500	
100	0.22	5x11	\pm 20	8	3	5
	0.47	5x11	\pm 20	8	3	10
	1	5x11	\pm 20	8	3	21
	2.2	5x11	\pm 20	8	3	30
	3.3	5x11	\pm 20	8	3.3	45
	4.7	5x11	\pm 20	8	4.7	50
	6.8	5x11	\pm 20	8	6.8	55
	10	5x11	\pm 20	8	10	65
		6.3x11	\pm 20	8	10	75
	15	8x11	\pm 20	8	15	93
	22	6.3x11	\pm 20	8	22	105
		8x11	\pm 20	8	22	130



On-Site Components, LLC

On-Site Components, LLC

3214 Thorngrove Circle
Riverton, Utah 84065

Office: 801-553-9948

Fax: 801-553-9946

www.onsitecomponents.com
sales@onsitecomponents.com

WV	Cap (μ F)	Size (mm) ϕ DxL	Tol (%)	DF (%) (max) 120Hz, 20°C	LC (μ A) (max) 20°C	RC. (mArms) (max) 120Hz, 85°C
100	33	8x11	\pm 20	8	33	140
		10x12.5	\pm 20	8	33	170
	47	10x12.5	\pm 20	8	47	190
		10x16	\pm 20	8	47	230
	68	10x16	\pm 20	8	68	280
	100	10x20	\pm 20	8	100	400
	150	13x20	\pm 20	8	150	500
	220	13x25	\pm 20	8	220	710
	330	13x25	\pm 20	8	330	720
		16x25	\pm 20	8	330	860
	470	13x40	\pm 20	8	470	1100
		16x25	\pm 20	8	470	1100
		16x32	\pm 20	8	470	1100
	680	16x36	\pm 20	8	680	1260
	1000	18x40	\pm 20	8	1000	1350
22x35		\pm 20	8	1000	1680	
2200	22x40	\pm 20	12	2200	2300	
160	0.47	5x11	\pm 20	15	12.256	12
	1	5x11	\pm 20	15	14.8	17
		6.3x11	\pm 20	15	14.8	17
	2.2	6.3x11	\pm 20	15	20.56	26
	3.3	6.3x11	\pm 20	15	25.84	30
		8x11	\pm 20	15	25.84	35
	4.7	6.3x11	\pm 20	15	32.56	32
		8x11	\pm 20	15	32.56	40
	10	8x11	\pm 20	15	58	50
		10x12.5	\pm 20	15	58	65
		10x16	\pm 20	15	58	65
	22	10x16	\pm 20	15	115.6	110
		10x20	\pm 20	15	115.6	110
	33	10x20	\pm 20	15	168.4	150
	47	12x16	\pm 20	15	235.6	145
		12x25	\pm 20	15	235.6	180
		13x20	\pm 20	15	235.6	180
	100	13x25	\pm 20	15	490	250
		16x25	\pm 20	15	490	300
	220	16x32	\pm 20	15	1066	450
		16x36	\pm 20	15	1066	510
	330	18x36	\pm 20	15	1594	540
		18x40	\pm 20	15	1594	600
	470	22x40	\pm 20	15	2266	900



On-Site Components, LLC

On-Site Components, LLC

3214 Thorngrove Circle
Riverton, Utah 84065

Office: 801-553-9948

Fax: 801-553-9946

www.onsitecomponents.com

sales@onsitecomponents.com

WV	Cap (μF)	Size (mm) ϕ DxL	Tol (%)	DF (%) (max) 120Hz, 20°C	LC (μA) (max) 20°C	RC. (mArms) (max) 120Hz, 85°C
200	0.47	5x11	± 20	15	12.82	14
	1	5x11	± 20	15	16	19
	2.2	6.3x11	± 20	15	23.2	22
		8x11	± 20	15	23.2	27
	3.3	6.3x11	± 20	15	29.8	30
		8x11	± 20	15	29.8	37
	4.7	8x11	± 20	15	38.2	36
		10x12.5	± 20	15	38.2	45
	10	10x12.5	± 20	15	70	57
		10x16	± 20	15	70	70
	22	10x16	± 20	15	142	120
	33	10x20	± 20	15	208	160
	47	13x20	± 20	15	292	160
		13x25	± 20	15	292	190
	68	13x25	± 20	15	418	230
	100	16x25	± 20	15	610	330
	220	18x25	± 20	15	1330	485
		18x32	± 20	15	1330	540
		18x36	± 20	15	1330	600
	330	16x40	± 20	15	1990	710
16x45		± 20	15	1990	750	
18x32		± 20	15	1990	685	
18x36		± 20	15	1990	725	
18x40		± 20	15	1990	800	
470	18x40	± 20	15	2830	750	
	22x35	± 20	15	2830	1000	
250	0.47	5x11	± 20	15	13.525	14
	1	5x11	± 20	15	17.5	17
		6.3x11	± 20	15	17.5	19
	2.2	6.3x11	± 20	15	26.5	24
		8x11	± 20	15	26.5	30
	3.3	8x11	± 20	15	34.75	30
		10x12.5	± 20	15	34.75	38
	4.7	8x11	± 20	15	45.25	36
		10x12.5	± 20	15	45.25	45
	6.8	8x11	± 20	15	61	40
		10x12.5	± 20	15	61	50
	10	10x16	± 20	15	85	70
		10x20	± 20	15	85	70
	15	10x20	± 20	15	122.5	75
		13x20	± 20	15	122.5	90
	22	10x20	± 20	15	175	130
	33	13x20	± 20	15	257.5	140
		13x25	± 20	15	257.5	160
	47	13x25	± 20	15	362.5	210
		16x25	± 20	15	362.5	210
100	16x32	± 20	15	760	310	
150	18x40	± 20	15	1135	410	
220	18x36	± 20	15	1660	540	
	18x40	± 20	15	1660	600	



On-Site Components, LLC

On-Site Components, LLC

3214 Thorngrove Circle
Riverton, Utah 84065

Office: 801-553-9948

Fax: 801-553-9946

www.onsitecomponents.com

sales@onsitecomponents.com

WV	Cap (μ F)	Size (mm)	Tol (%)	DF (%) (max)	LC (μ A)	R.C. (mArms)
		ϕ DxL		120Hz, 20°C	(max) 20°C	(max) 120Hz, 85°C
350	0.47	5x11	\pm 20	20	14.935	14
	1	6.3x11	\pm 20	20	20.5	19
	2.2	8x11	\pm 20	20	33.1	33
		10.x12.5	\pm 20	20	33.1	33
	3.3	8x11	\pm 20	20	44.65	33
		10.x12.5	\pm 20	20	44.65	39
	4.7	10x12.5	\pm 20	20	59.35	39
		10x16	\pm 20	20	59.35	45
	10	10x16	\pm 20	20	115	70
		13x20	\pm 20	20	115	70
	15	10x20	\pm 20	20	167.5	90
	22	13x20	\pm 20	20	241	130
	33	13x25	\pm 20	20	356.5	170
		16x25	\pm 20	20	356.5	170
47	16x25	\pm 20	20	503.5	220	
	16x36	\pm 20	20	1060	320	
100	18x36	\pm 20	20	1060	360	
400	0.47	6.3x11	\pm 20	20	15.64	14
	1	6.3x11	\pm 20	20	22	16
		8x11	\pm 20	20	22	19
	2.2	8x11	\pm 20	20	36.4	26
		10x12.5	\pm 20	20	36.4	33
	3.3	10x12.5	\pm 20	20	49.6	40
	4.7	10x16	\pm 20	20	66.4	45
	10	10x16	\pm 20	20	130	50
		10x20	\pm 20	20	130	56
		13x20	\pm 20	20	130	70
	22	13x20	\pm 20	20	274	100
		13x25	\pm 20	20	274	110
		16x25	\pm 20	20	274	130
	33	13x25	\pm 20	20	406	140
		16x20	\pm 20	20	406	145
		16x25	\pm 20	20	406	170
	47	16x25	\pm 20	20	574	180
		16x32	\pm 20	20	574	220
		16x36	\pm 20	20	574	220
	100	18x36	\pm 20	20	1210	360



On-Site Components, LLC

On-Site Components, LLC

3214 Thorngrove Circle
Riverton, Utah 84065

Office: 801-553-9948

Fax: 801-553-9946

www.onsitecomponents.com

sales@onsitecomponents.com

WV	Cap (μ F)	Size (mm) ϕ DxL	Tol (%)	DF (%) (max) 120Hz, 20°C	LC (μ A) (max) 20°C	R.C. (mArms) (max) 120Hz, 85°C	
450	0.47	6.3x11	\pm 20	20	16.345	14	
	1	8x11	\pm 20	20	23.5	19	
	2.2	10x12.5	\pm 20	20	39.7	33	
	3.3	10x16	\pm 20	20	54.55	42	
	4.7		10x16	\pm 20	20	73.45	50
			10x20	\pm 20	20	73.45	50
	6.8		10x16	\pm 20	20	101.8	50
			10x20	\pm 20	20	101.8	56
	10		13x20	\pm 20	20	145	60
			13x25	\pm 20	20	145	75
	15		13x20	\pm 20	20	212.5	93
	22		16x20	\pm 20	20	307	100
			16x25	\pm 20	20	307	110
			16x32	\pm 20	20	307	130
	33		16x25	\pm 20	20	455.5	145
			16x32	\pm 20	20	455.5	160
			16x36	\pm 20	20	455.5	180
	47		18x36	\pm 20	20	644.5	200
18x40			\pm 20	20	644.5	230	
68		18x32	\pm 20	20	928	265	
100		22x40	\pm 20	20	1360	370	

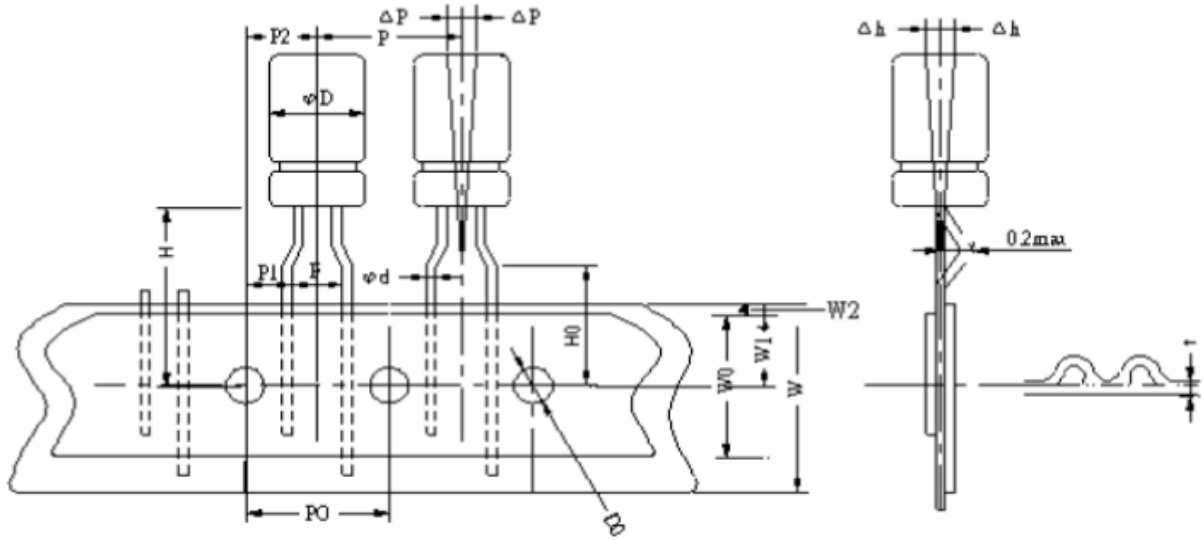


On-Site Components, LLC

On-Site Components, LLC
 3214 Thorngrove Circle
 Riverton, Utah 84065

Office: 801-553-9948
Fax: 801-553-9946
www.onsitecomponents.com
sales@onsitecomponents.com

Ammo Tape
 (4 ϕ ~6.3 ϕ)
 code:T1



ΦD (mm)	$L \pm 5$ (mm)	$W + 5$ -0 (mm)	$H + 5$ -0 (mm)	Quantity (pcs)
4	340	275	50	3000
5	340	230	50	2000
6.3	340	275	50	2000

尺寸表(mm)

Symbol	Case Size			Tolerance
	4x5~7	5x5~11	6.3x5~11	
Φd	0.45	0.45 or 0.5		± 0.05
P	12.7			± 1.0
P0	12.7			± 0.3
P1	3.85			± 0.5
P2	6.35			± 1.0
F	5.0			± 0.2
W	18.0			± 0.5
W0	12.0min			—
W1	9.0			± 0.5
W2	2.0max			—
H	18.5			± 0.75
H0	16.0			± 0.5
D0	4.0			± 0.3
ΔP	0.2max			—
Δh	0.2max			—
t	0.6			± 0.3

ΦD (mm)	$L \pm 5$ (mm)	$W \pm 5$ (mm)	$H \pm 5$ (mm)	Quantity (pcs)
4	355	297	290	15000
5	355	252	290	10000
6.3	355	297	290	10000



On-Site Components, LLC

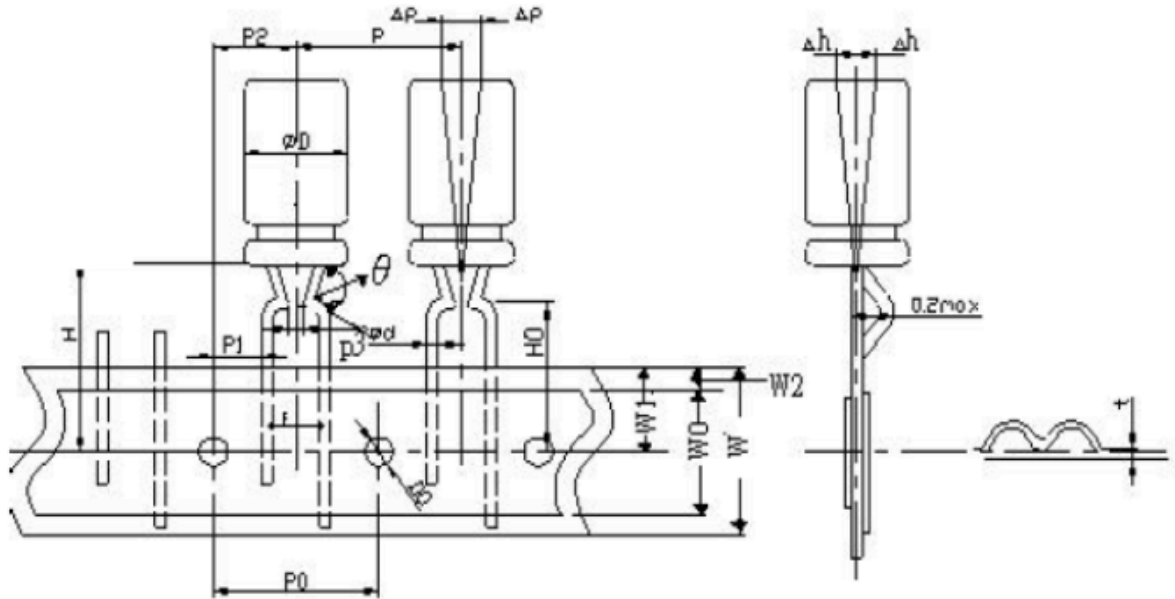
On-Site Components, LLC
3214 Thorngrove Circle
Riverton, Utah 84065

Office: 801-553-9948
Fax: 801-553-9946
www.onsitecomponents.com
sales@onsitecomponents.com

Ammo Tape

(8 ϕ)

code:T1



ΦD (mm)	$L \pm 5$ (mm)	$W + 5$ -0 (mm)	$H + 5$ -0 (mm)	Quantity (pcs)
8×5-16	340	250	50	1000
8×20	340	230	58	1000

尺寸表(mm)

Symbol	Case Size	Tolerance
	8×5~20	
ϕd	0.6	± 0.05
P	12.7	± 1.0
P0	12.7	± 0.3
P1	3.85	± 0.7
P2	6.35	± 1.0
P3	2.5	+0.2/-0.5
θ	110°	$\pm 15^\circ$
F	5.0	± 0.2
W	18.0	± 0.5
W0	12.0min	-
W1	9.0	± 0.5
W2	2.0max	-
H	18.5	± 0.75
H0	16.0	± 0.5
D0	4.0	± 0.3
Δp	0.2max	-
Δh	0.2max	-
t	0.6	± 0.3

ΦD (mm)	$L \pm 5$ (mm)	$W \pm 5$ (mm)	$H \pm 5$ (mm)	Quantity (pcs)
8×5-16	355	252	290	5000
8×20	355	252	315	5000

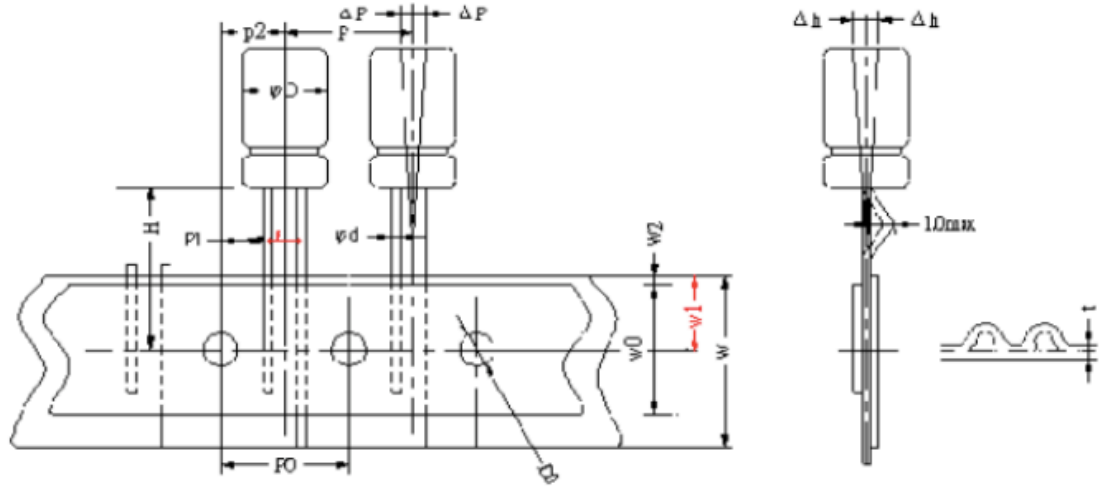


On-Site Components, LLC

On-Site Components, LLC
 3214 Thorngrove Circle
 Riverton, Utah 84065

Office: 801-553-9948
Fax: 801-553-9946
www.onsitecomponents.com
sales@onsitecomponents.com

Ammo Tape
 (ϕ 10~ ϕ 13)
 Code:T1



ΦD (mm)	L ± 5 (mm)	W+5 -0 (mm)	H+5 -0 (mm)	Quantity (pcs)
10×12~17	340	230	50	600
10×20~25	340	230	58	600
10×30	340	230	65	600
13×13~32	315	275	65	400
13×36~	315	275	74	400

尺寸表(mm)

Symbol	Case Size		Tolerance	
	10x12-30	13x13-40	10x12-30	13x 13-40
Φd	0.6		± 0.05	
P	12.7	15.0	± 1.0	
P0	12.7	15.0	± 0.3	
P1	3.85	5.0	± 0.5	± 0.7
P2	6.35	7.5	± 1.0	± 1.3
F	5.0		± 0.2	
W	18.0		± 0.5	
W0	12.0min		-	
W1	9.0		± 0.5	
W2	2.0max		-	
H	18.5		± 0.75	
D0	4.0		± 0.3	
ΔP	0.2max		-	
Δh	0.2max		-	
t	0.7		± 0.2	± 0.3

ΦD (mm)	L ± 5 (mm)	W ± 5 (mm)	H ± 5 (mm)	Quantity (pcs)
10×12~17	355	252	290	3000
10×20~25	355	252	315	3000
10×30	355	252	290	2400
13×13~32	355	297	290	1600
13×36~	355	297	337	1600